

**APPAREIL**  
Atelier



**FLOE | standard chair**  
by Appareil Atelier



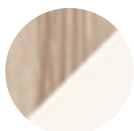
The unique look of the Floe chair revisits the aesthetics of 1950's furniture while imbuing a touch of modernity all of its own. The stability of the seat is provided by steel rods which contrasts with an arched ash veneer that seems to float above the structure.

## FLOE Standard chair

### Material



Black



Wood and white cream

### Description

Chair composed of tubular painted steel 0.5" X 0.5". The seat and back are in curved ash veneer. Structure with matt electrostatic powder paint. The seat and back are painted, leaving the wood grooves visible.

### Made in

Montreal

### Dimensions

W 17" x D 22" x H (seat) 17" (total) 33"

### Assembly

The chair is delivered assembled

### Accessories

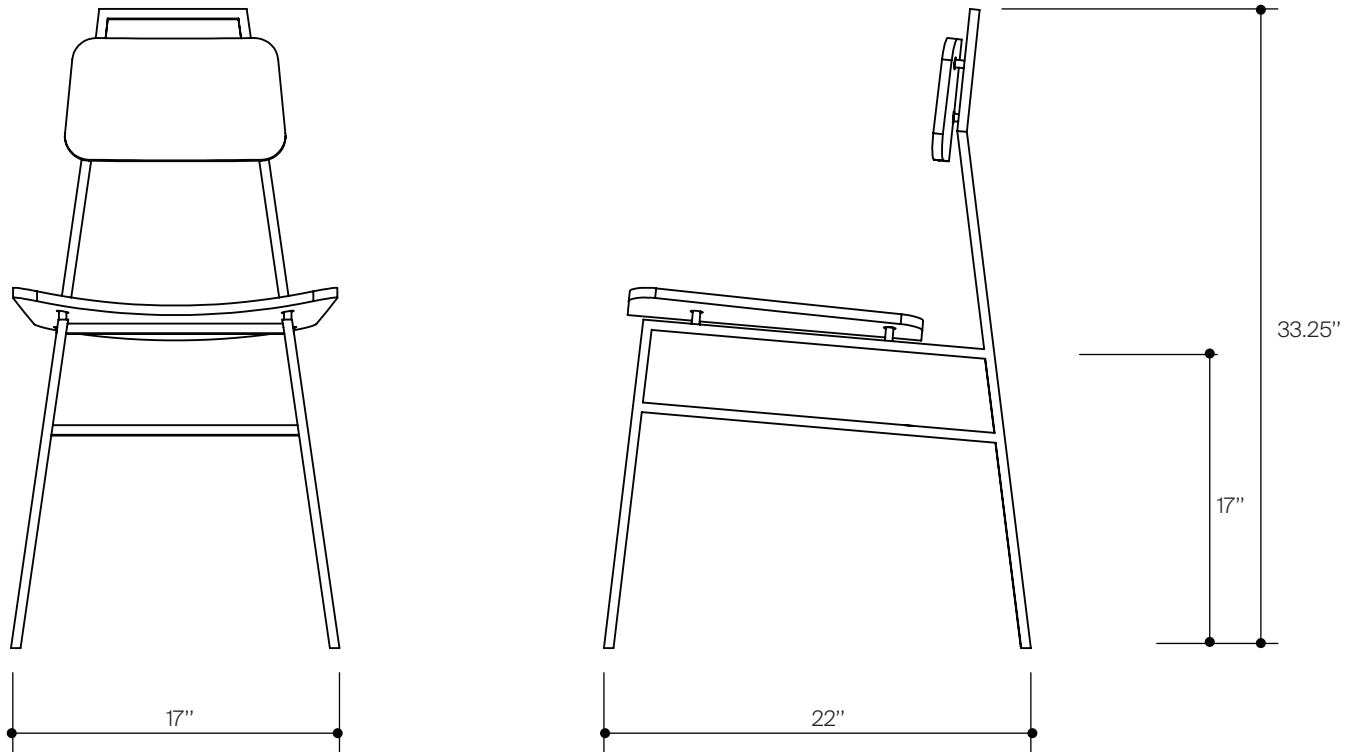
The chair comes with plastic protectors under each legs

### Maintains

Clean with a mild cleaning product

## Spécifications techniques FLOE standard chair

Specific descriptions  
chair in tubular steel and curved ash veneer



### General Conditions

#### Warranty

Warranty is being offered to the original buyer or any APPAREIL atelier Representative for a one year period following the reception of your order. Please refer to our warranty PDF instruction attached for more details.

Any claims have to be sent at [info@appareilatelier.com](mailto:info@appareilatelier.com) along with pictures as a proof of damage. We reserve the right to carefully inspect the furniture here at our office. If the product is judged as damaged, APPAREIL atelier will send you a replacement item and will cover delivery charges.

If the one year delay has expired, we suggest to get in contact with us so we can coordinate the repair of your damaged item. Please note that any cost related to the repair will be the responsibility of our customer.

#### Care guide

Feel free to refer to our care guide PDF to ensure good care of your furniture and accessories.

#### Rights reserved

All rights or reproduction of this website, for visual and/ or writing content is fully reserved by APPAREIL ATELIER.

#### Privacy

We are committed to protect and respect the privacy of our customers and website visitors. Therefore, we take all measures to our disposition to protect your personal datas obtained on our website and via our communications.

#### Questions

For any further questions, please contact us at [info@appareilatelier.com](mailto:info@appareilatelier.com)